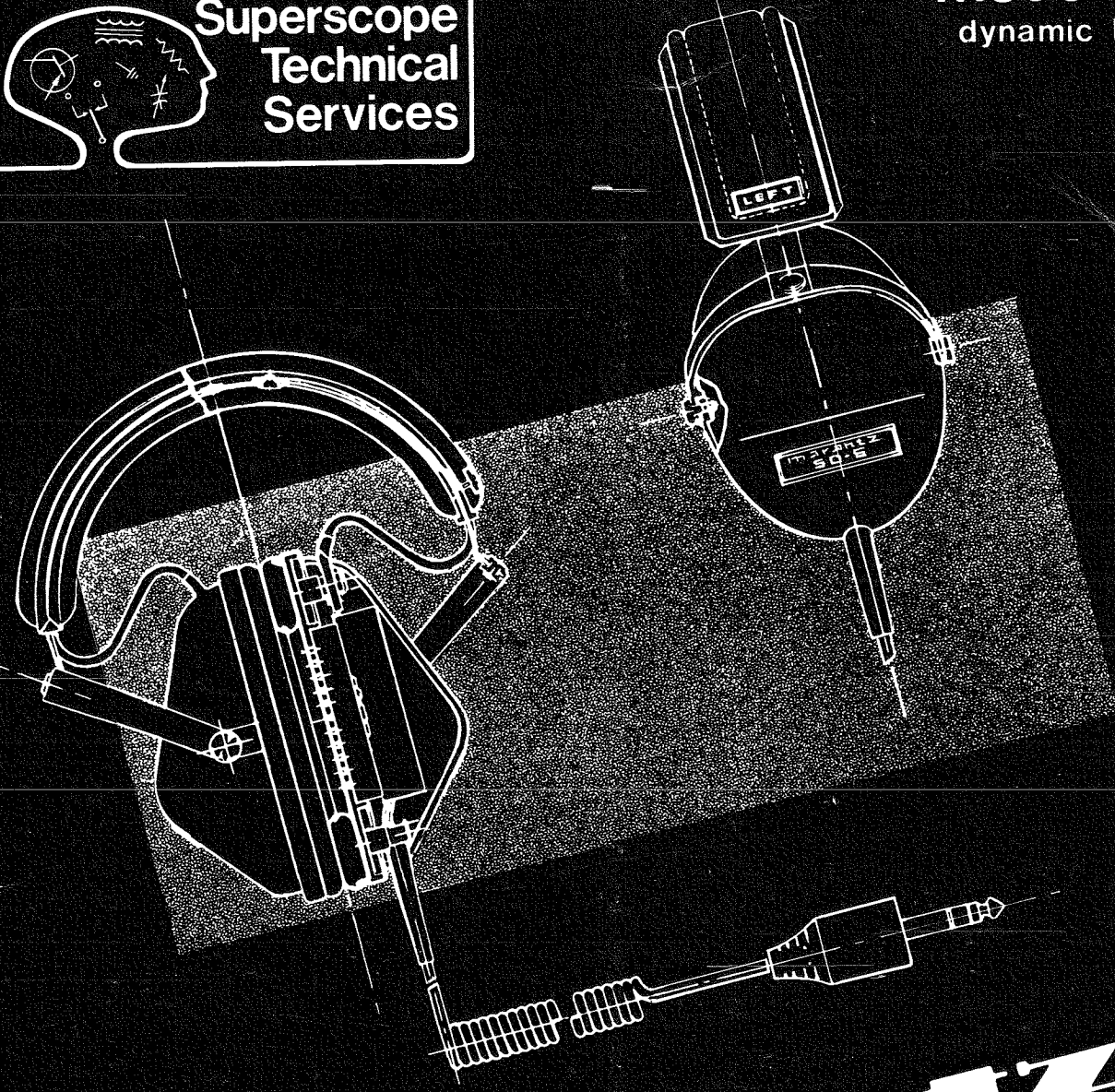


model SD-5
dynamic headphone
system



marantz®
service manual
for model SD-5
dynamic headphone
system

specifications...

Impedance: 8 ohms @ 1kHz

Sound Pressure Level: 100 dB SPL @ 1kHz

Maximum Sound Pressure Level: 0.15 volts RMS input

Frequency Range: 30Hz to 15kHz

Total Harmonic Distortion (THD): 1.0 % @ 30Hz (100 dB SPL)
0.18% @ 1kHz (100 dB SPL)
0.25% @ 10kHz (100 dB SPL)

Sensitivity: 0.15 volts RMS for 100 dB SPL

Weight: 16 oz.

service...

Parts Ordering:

Replacement parts for the SD-5 Headphones may be ordered from:

Marantz Parts Department
8144 Sunland Boulevard
Sun Valley, CA 91352

When ordering, use the exact parts description and number indicated in Figure 2.

schematic ...

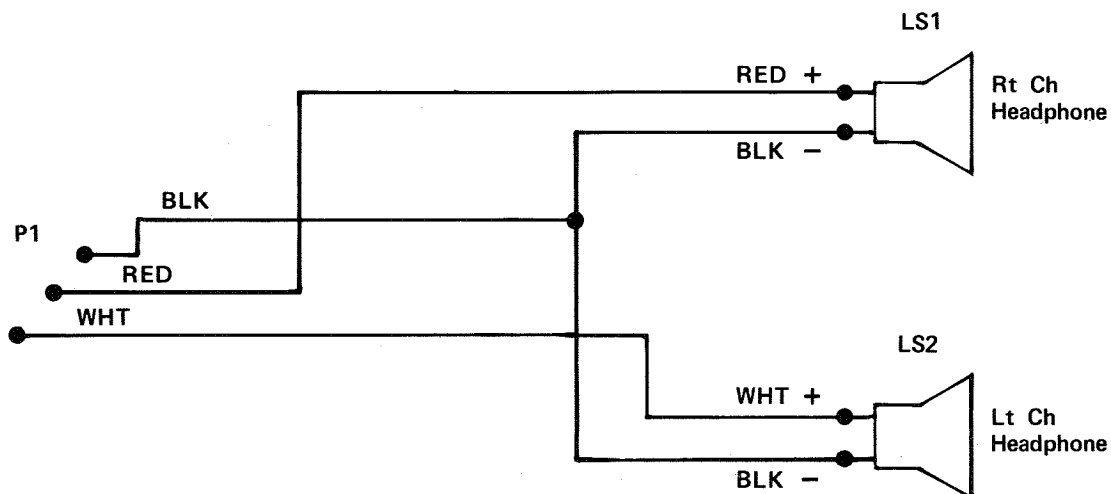


Figure 1

exploded view: model SD-5 headphones

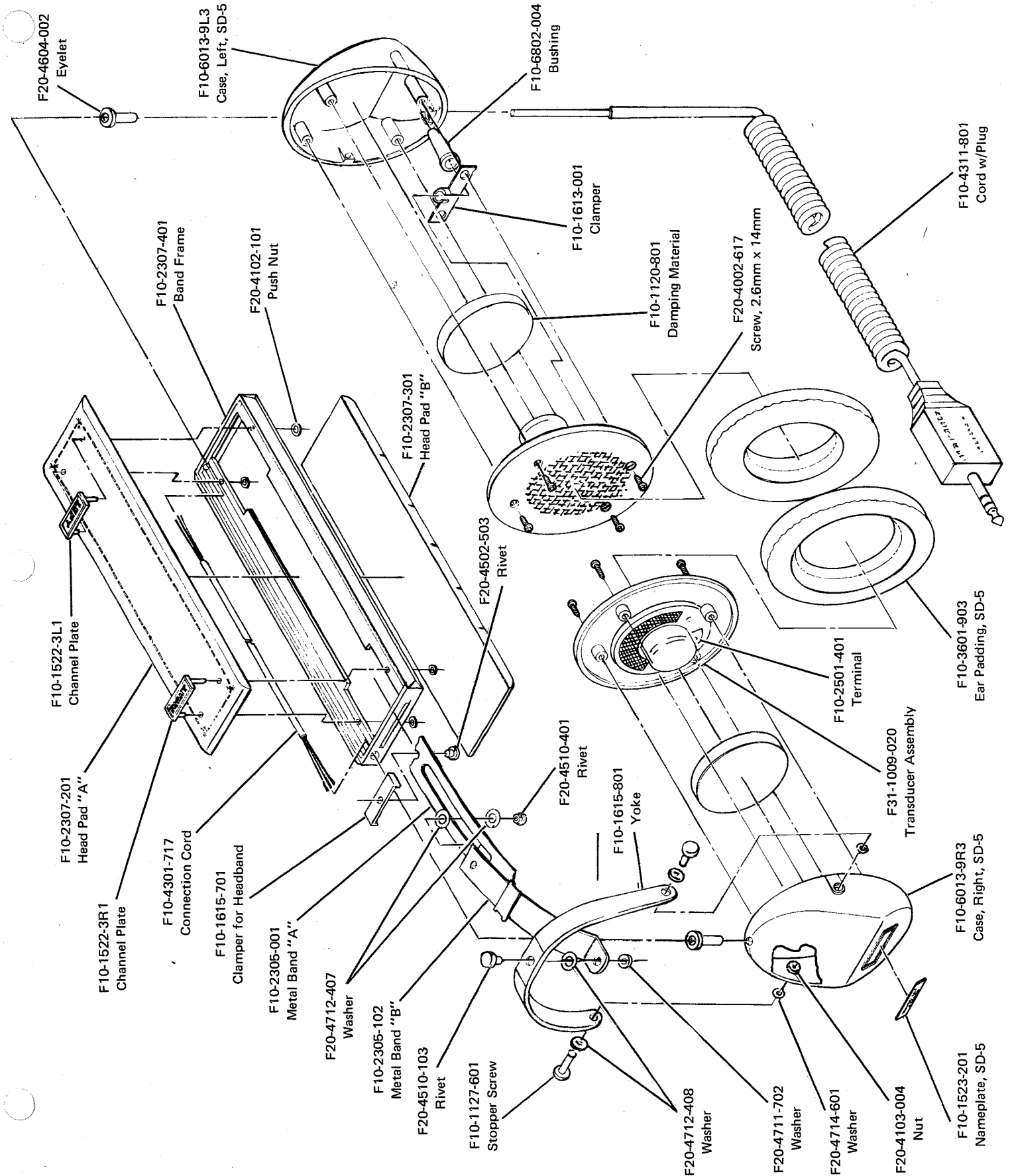


Figure 2



marantz®

MARANTZ CO., INC. · P.O. BOX 99 · SUN VALLEY, CALIFORNIA · 91352

A WHOLLY-OWNED SUBSIDIARY OF SUPERSCOPE INC., SUN VALLEY, CALIFORNIA 91352